



PROJECT		REF		REV	ITEM CODE	
LOCATION		DATE			PAGE	

SANITARY WARE SPECIFICATION SHEET

<p>Item Descriptions</p> <p>Dimensions</p> <p>Model</p> <p>Finish</p> <p>Country of origin</p> <p>Manufacturer</p> <p>Supplier</p> <p>Contact Tel/Fax</p> <p>E-mail</p> <p>Website</p>	<p>GROHE (Germany) "Allure" Chrome plated wall mounted basin mixer S-Size with concealed body</p> <p>L172 x W180 x H70 mm</p> <p>19309000 (Basin mixer) 33769000 (Concealed body)</p> <p>Chrome Plated</p> <p>Germany</p> <p>GROHE Limited</p> <p>Acme Sanitary Ware Co. Ltd Mr. Eric Wong/ Mr. Don Yuen</p> <p>(852) 2388-7171 / (852) 2710-8012 acme@acmesanitary.com.hk www.acmesanitary.com.hk</p>	<p style="text-align: center;">Illustration/ Drawing</p> <div style="text-align: right;"> </div>
<p>"Allure" 2-hole basin mixer S-Size</p> <ul style="list-style-type: none"> · wall mounted · without concealed body · set for final installation for 33 769 000 · with metal plate · GROHE StarLight chrome finish · flow limiter 8 l/min. · spout with mousseur · centre distance 110 mm · projection 172 mm 	<p>Single-lever mixer 1/2" , concealed body</p> <ul style="list-style-type: none"> · for 2 hole basin mixer · wall installation · without finishing trim set · GROHE SilkMove 46 mm ceramic cartridge · adjustable flow rate limiter 	

Note:

* All information of the above is for the reference only. No prior notice is made if any changes.



PROJECT		REF		REV	ITEM CODE	
LOCATION		DATE			PAGE	

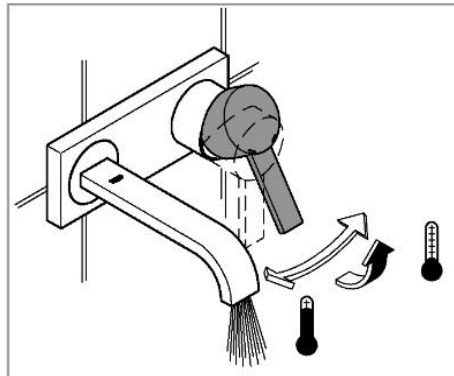
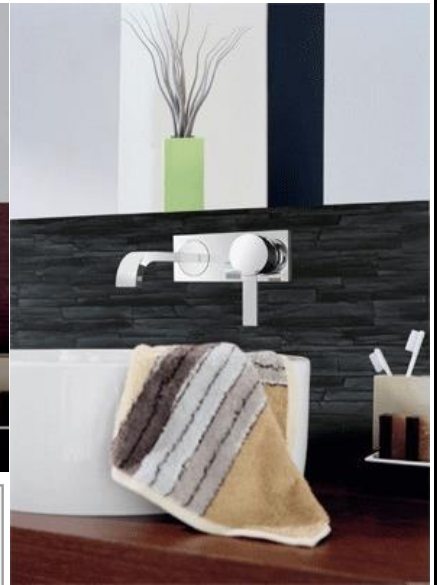
SANITARY WARE SPECIFICATION SHEET

GROHE ALLURE

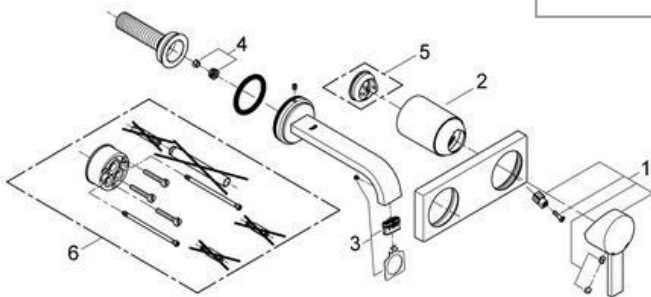
BEAUTY MEETS FUNCTION

Perfectly balanced proportions on the outside and technically advanced on the inside – Allure unites inherent beauty with unmatched performance. Cylindrical bodies rise from square and rectangular base plates adding to its minimalist appeal, while the collection offers a choice of two handle styles – a flat lever or a tri-spoke design – to meet your exacting requirements.

Faucets and fittings in this collection illustrate our commitment to unrivalled quality in the bathroom.



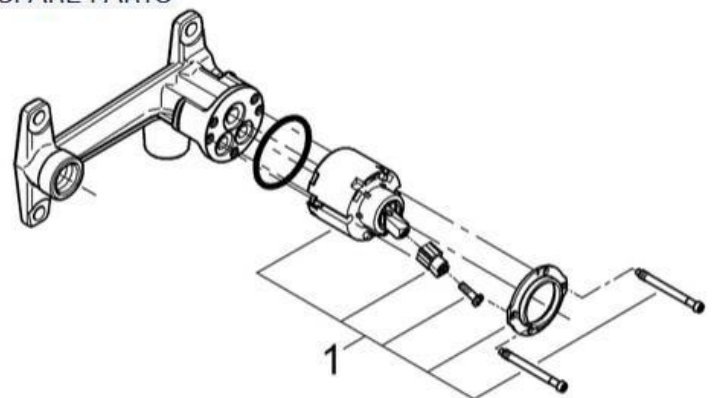
SPARE PARTS



Pos.-nr.	Prod. description	Order-nr.
1	Lever	46609000
2	Cap	09038000
3	Mousseur	13220000
4	Flow limiter	46324000
5	Temperature limiter	46375000*
6	Extension set	46191000*

* Optional accessories

SPARE PARTS



Pos.-nr.	Prod. description	Order-nr.
1	Cartridge	46048000

* Optional accessories

Note:

* All information of the above is for the reference only. No prior notice is made if any changes.